



INVISIBLE

REBATED DOORS

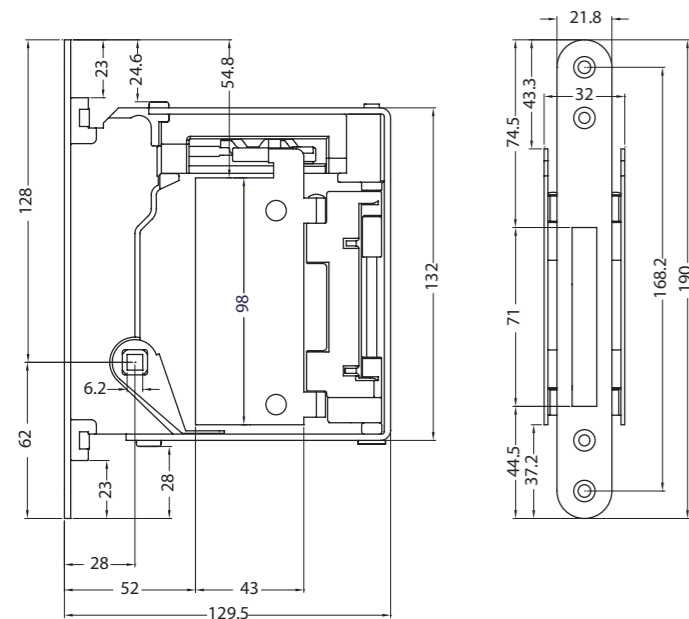


PATENTED

Mod. 937

B NO-HA MINI PRIVACY

DOOR THICKNESS (mm) 38 MIN \longleftrightarrow 48 MAX



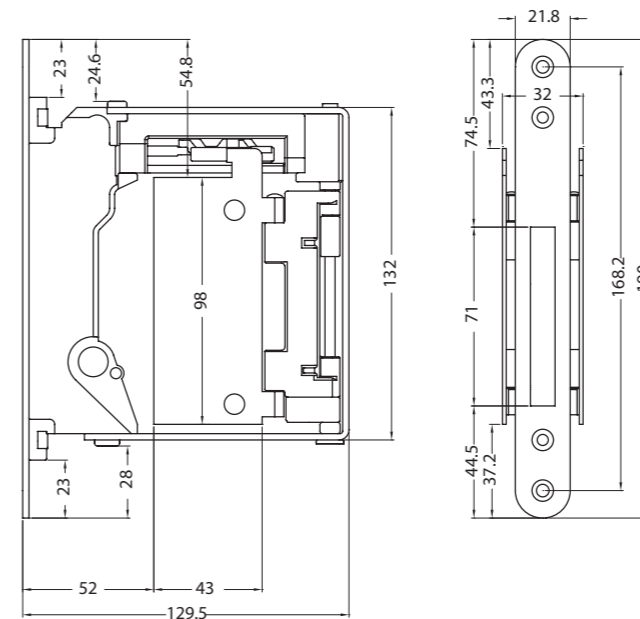
Material		
Brass		
Front plate		
height	width	thickness
190 mm	22 mm	2.5 mm
Maximum distance between leaf and frame		
6 mm		
Backset		
28 mm		

PATENTED

Mod. 938

B NO-HA MINI PASSAGE

DOOR THICKNESS (mm) 38 MIN \longleftrightarrow 48 MAX



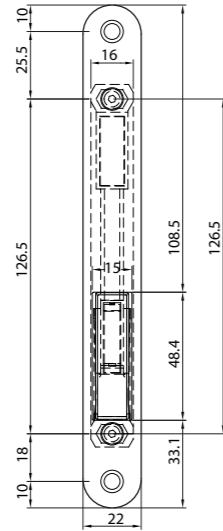
Material		
Brass		
Front plate		
height	width	thickness
190 mm	22 mm	2.5 mm
Maximum distance between leaf and frame		
6 mm		



ADJUSTABLE STRIKING PLATES



Mod.
G992

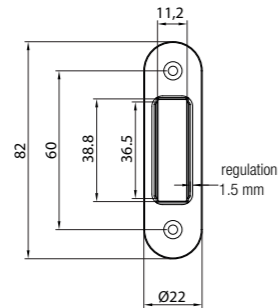


Material
Steel

Dimensions

height	width	thickness
190 mm	22 mm	2 mm

Mod.
GR95



Material
Steel

Dimensions

height	width	thickness
82 mm	22 mm	4 mm

